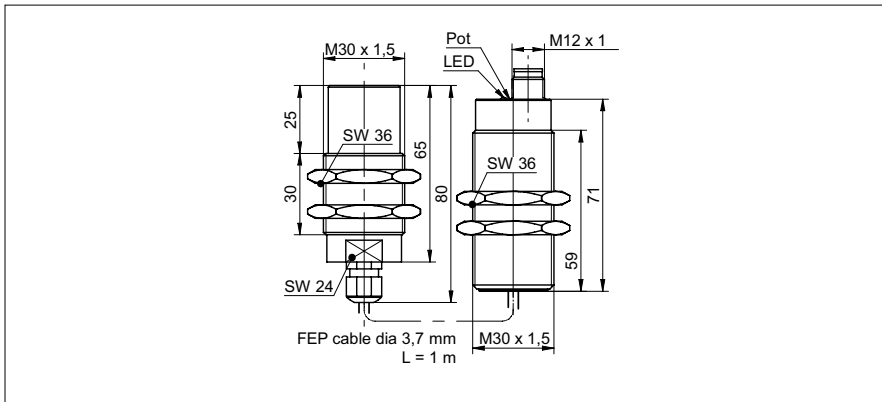


Capacitive proximity sensors

CFAH 30P1200/S14

dimension drawing



general data

special type	sensor for high temperatures
nominal sensing distance Sn	15 mm
nominal sensing distance Sn adjustable	4 ... 15 mm
mounting type	non-flush
GND electrode	no
temperature drift	± 16 %
sensitivity adjustment	potentiometer, 18 turn
output indicator	LED

electrical data

voltage supply range +Vs	10 ... 35 VDC
current consumption max. (no load)	15 mA
output circuit	PNP make function (NO)
output current	< 200 mA
voltage drop Vd	< 2,5 VDC
switching frequency	< 50 Hz
short circuit protection	yes
reverse polarity protection	yes

mechanical data

type	cylindrical threaded
housing material	V2A/PTFE
dimension	30 mm
housing length	65 mm
connection types	connector M12

ambient conditions

operating temperature	-40 ... +200 °C
protection class	IP 67

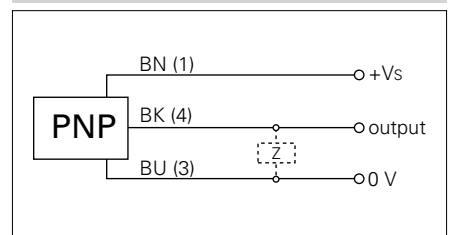
field of application

detection of non-conductive media	yes
fill level detection through container	no
liquids in direct contact	yes
object detection / bulk goods	no

photo



connection diagram



- inline amplifier
- Cable link sensor head/in-line amplifier
FEP coated

Capacitive proximity sensors**CFAH 30P1200/S14****inline amplifier**

operating temperature	-25 ... +75 °C
housing material	brass nickel plated
protection class	IP 65